

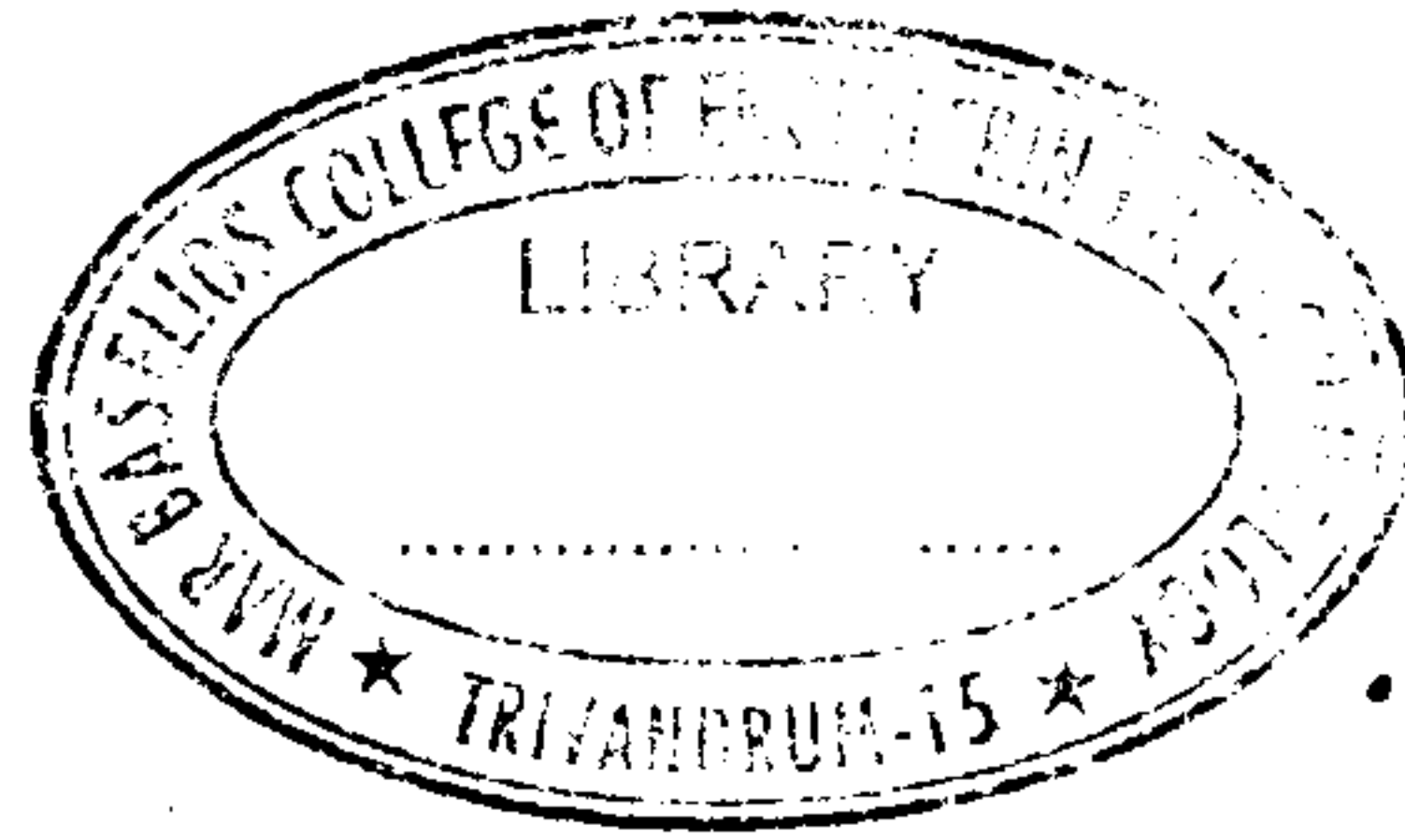


(Pages : 4)

E – 2288

Reg. No. :

Name :



**Third Semester B.Tech. Degree Examination, May 2018
(2013 Scheme)
13.306 : ENGINEERING DRAWING (MP)**

Time : 4 Hours

Max. Marks : 100

**PART – A
(Machine Drawing)**

Time : 2 Hours

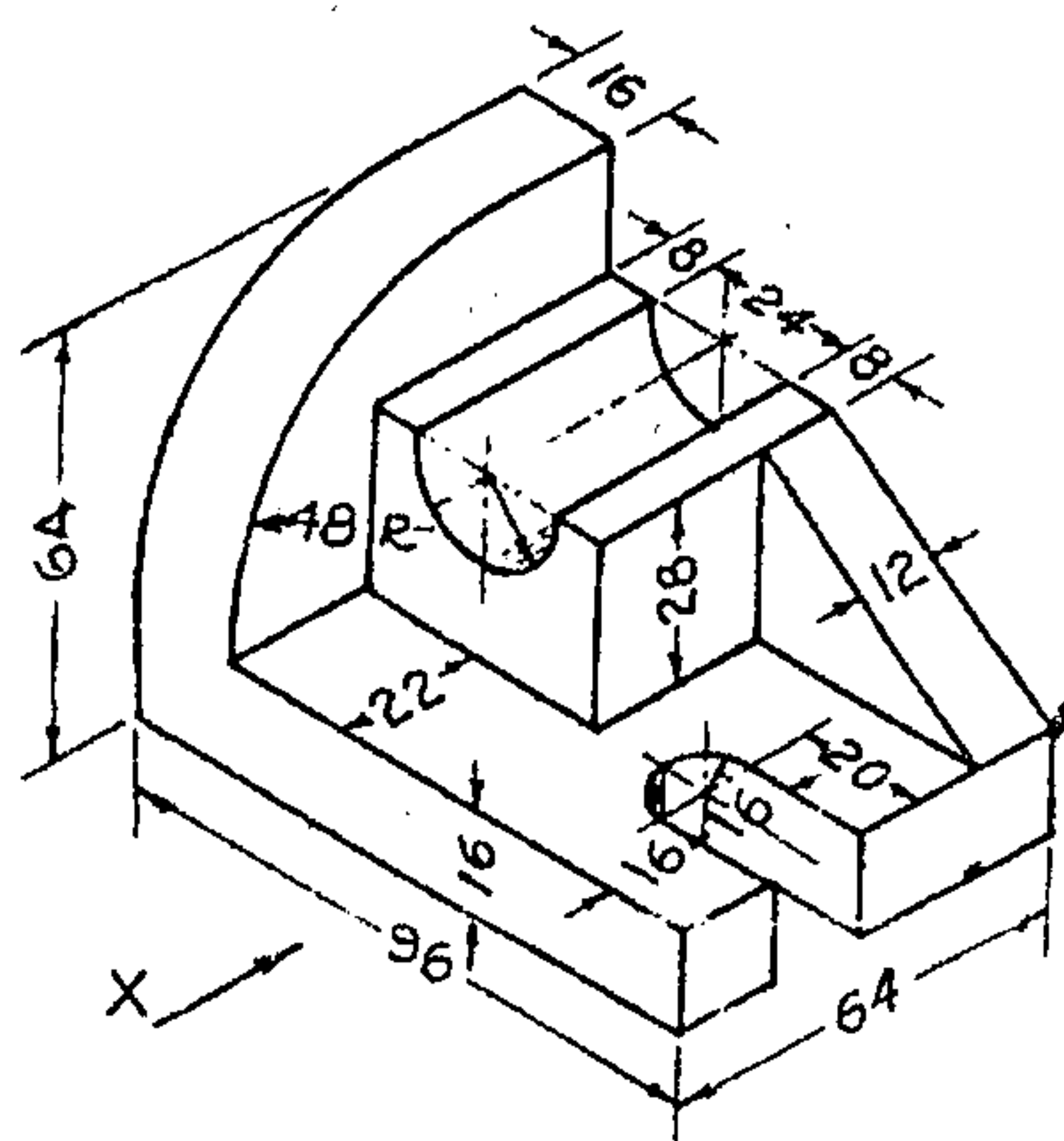
Max. Marks : 50

Answer **any two** questions from Module I and the question from Module II

Assume missing dimensions, if any.

Module – I

1. Draw the three orthographic views of the figure given below :



P.T.O.

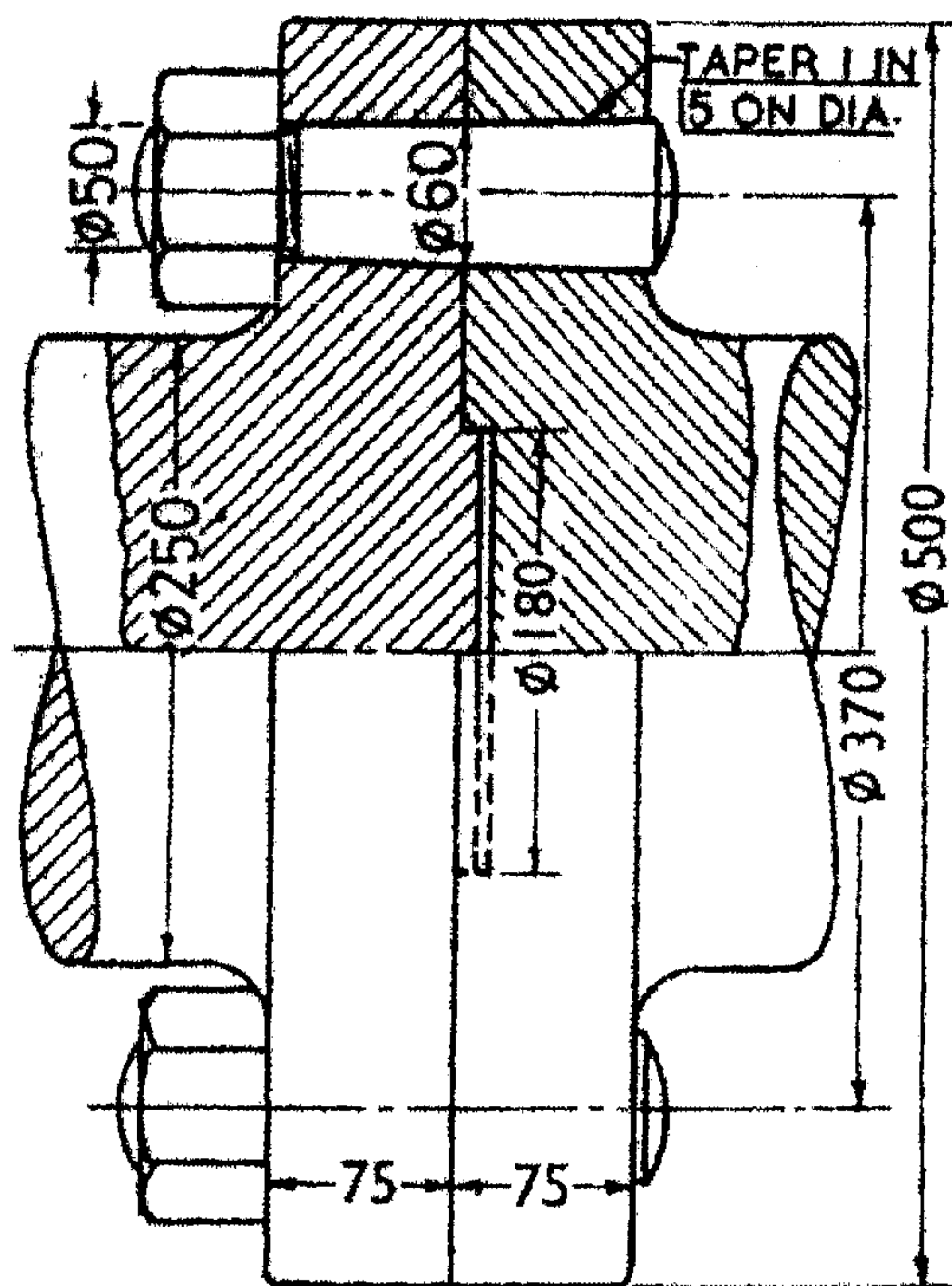


2. Sketch a Rag foundation bolt of 24 mm diameter.
3. Draw the elevation and plan of a double-riveted (zig-zag) lap joint with 8 mm thick plate.
(2×10=20 Marks)

Module - II

4. Draw the full sectional front view, simple plan and side view looking from left of the flanged joint given below :

30





PART - B
(Civil Engineering Drawing and Estimation)

Time : 2 Hours

Max. Marks : 50

Answer **any one** question **each** from module - III and IV.
Assume suitable missing data if any.

Module - III

5. Given line sketch of a building (Fig. 1). Draw to suitable scale the following :
- i) Plan at sill level 15
 - ii) Section at AA 10
 - iii) Front elevation 5

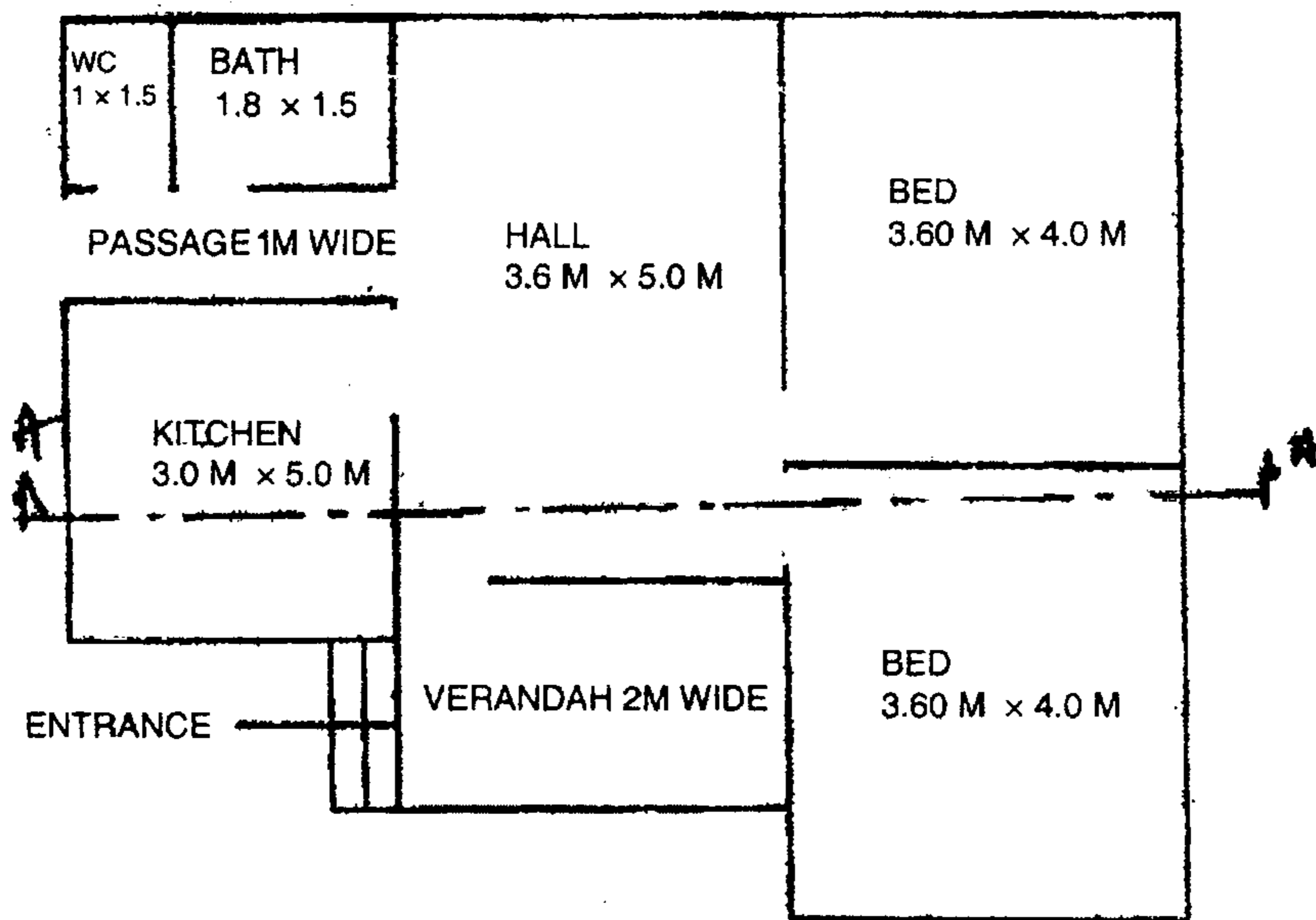


Fig. 1

Specification :

Foundation is of RR masonry in CM 1:5, 60 cm x 60 cm over a PCC 1 : 4 : 8 bed of 10 cm thick with 10 cm offset. Basement is of RR masonry 45 cm x 45 cm using CM 1 : 6. Walls are of brick masonry in CM 1 : 4 , 20 cm thick to a height of 3.0 m.

RCC lintels of 15 cm thick are provided over openings. Lintels are at 2.1 m from floor level. Sunshades of 60 cm projection is provided all around.

Roofing is of RCC slab 12 cm thick with 10 cm projection all-around.

Assume suitable sizes for doors, windows, ventilators and openings.

OR



6. The line sketch of a building is shown in Fig. 2. Draw to suitable scale. Specifications are same as in Question 5.

- i) Plan at sill level 15
- ii) Section at XX 10
- iii) Front elevation 5

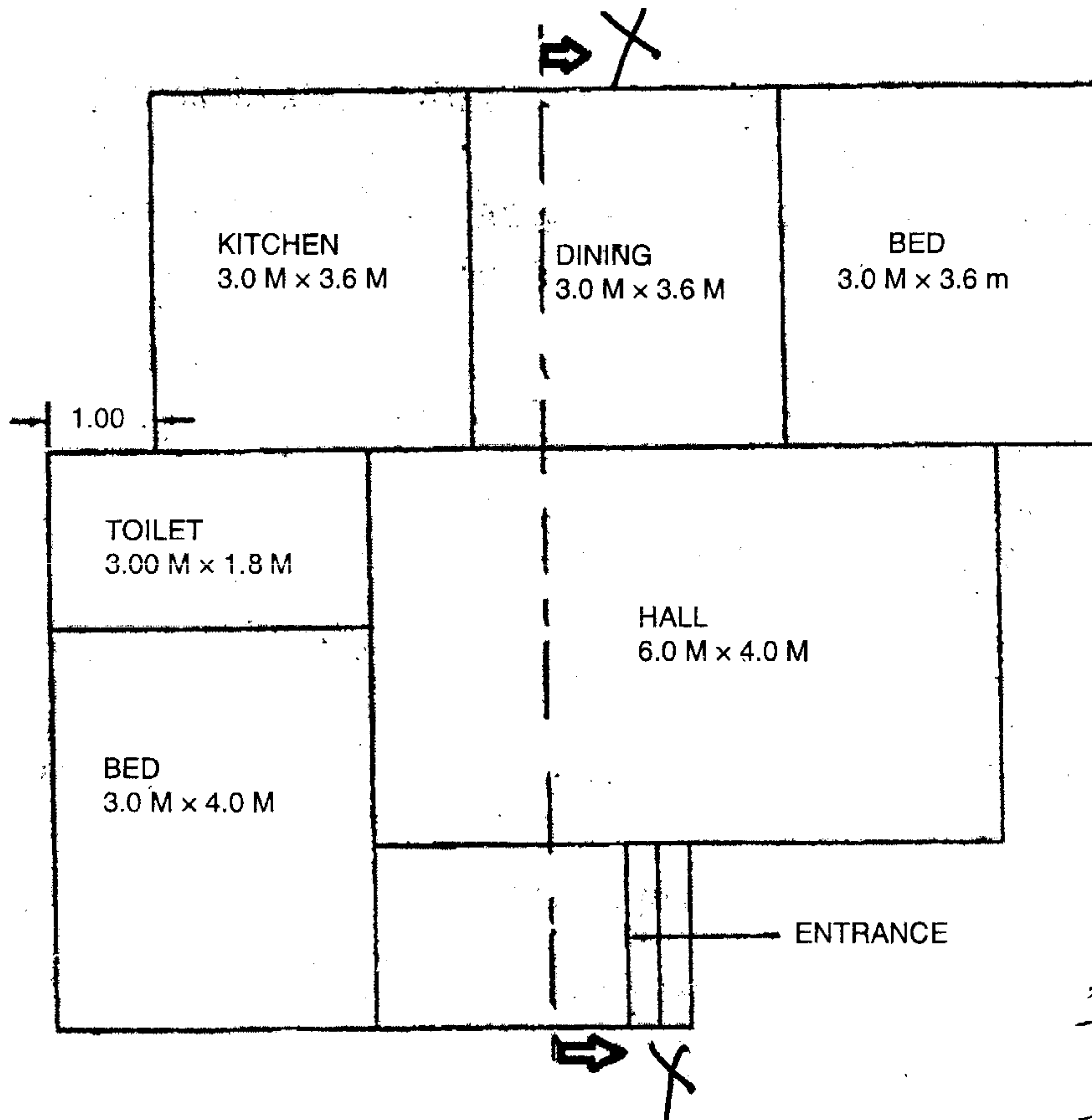


Fig. 2

3.1
9

27.9

Module – IV

7. Estimate the quantities of following items of work for the building shown in Fig. 1

- a) RCC quantity in sunshades, lintels and roof slab. 10
- b) Wall plastering (Exterior and Interior) using cement mortar. 10

OR

8. Estimate the quantities of following items of work for the building shown in Fig. 2

- a) Earthwork excavation. 10
- b) Brickwork quantity. 10